

Pacifica

Twin #7953

Manufactured by



394 Dairy Pak Road, Athens, GA 30607
800-543-3393 kdframes.com

Tool needed:

#2 Phillips
screwdriver

H A R D W A R E

H-1	3" BOLT		8
H-21	2 - 1/2" BOLT		4
H-3	CROSS DOWEL		12
H-10	HEX WRENCH		1
H-19	WOOD SCREW		8

Parts:



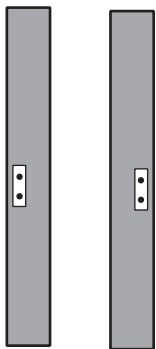
N-75 BED RAIL (2)



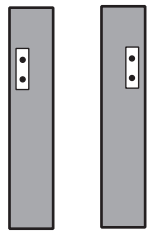
P-17 FOOTBOARD CONNECTOR (1)



P-18 HEADBOARD CONNECTOR (2)



P-2 HEADBOARD LEGS
(LEFT AND RIGHT)



P-3 FOOTBOARD LEGS
(LEFT AND RIGHT)



N-38 REGULAR SLAT (10)



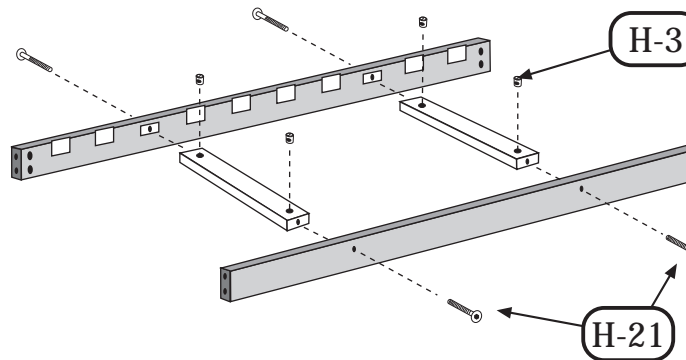
N-39 CONNECTOR SLAT (2)



P-4 HEADBOARD PICKET (3)

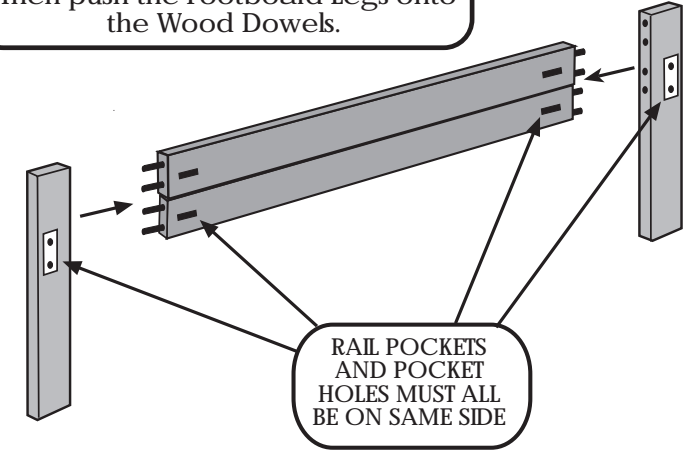
1

Use 2-1/2" Bolts (H-21) and Cross Dowels (H-3) to attach Bed Rails (N-75) and Connector Slats (N-39). Leave the bolts loose until Step 2.



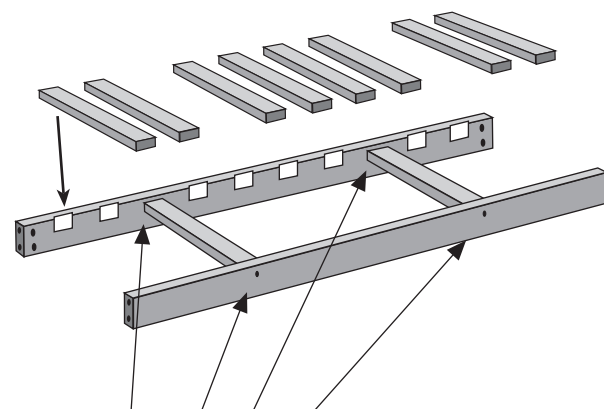
3

Use the illustration below to align the Footboard Connector (P-17) with the Left and Right Footboard Legs (P-3). Make sure that the Rail Pockets and the Pocket Holes are on the same side. Then push the Footboard Legs onto the Wood Dowels.



2

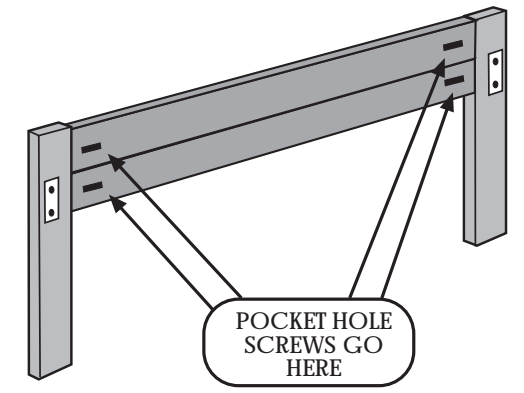
Place Regular Slats (N-38) into the pockets and then tighten the bolts.



NOTE: Bolts should be just loose enough to insert the Regular Slats.

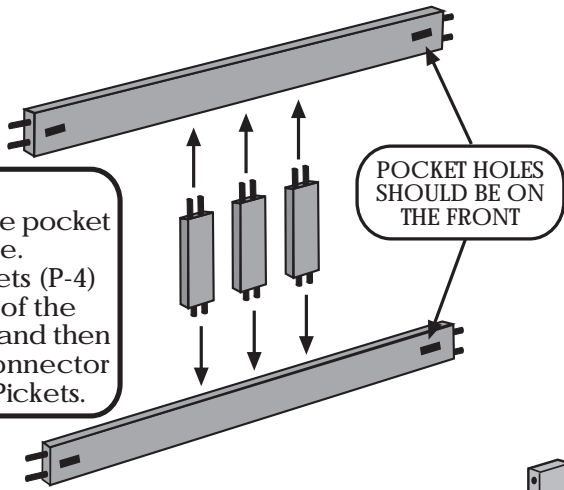
4

Secure the Footboard Legs by inserting (4) Wood Screws (H-19) into the pocket holes.



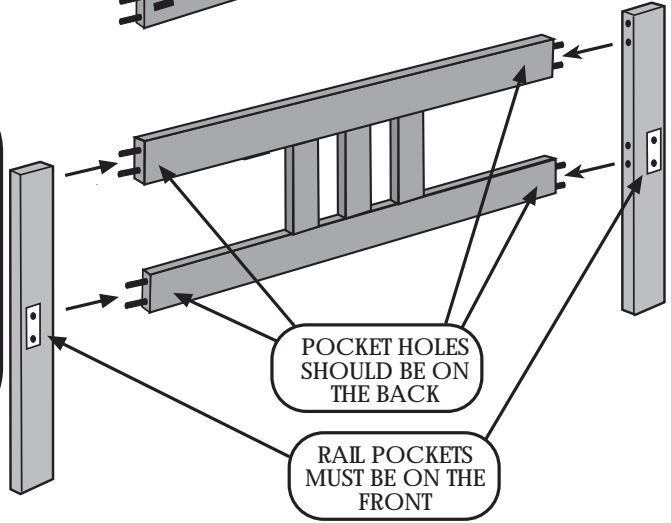
5

Important:
In Step 5, make sure that all of the pocket holes face the same side.
Press the (3) Headboard Pickets (P-4) into the edge holes on one of the Headboard Connectors (P-19) and then press the other Headboard Connector (P-18) onto the Headboard Pickets.



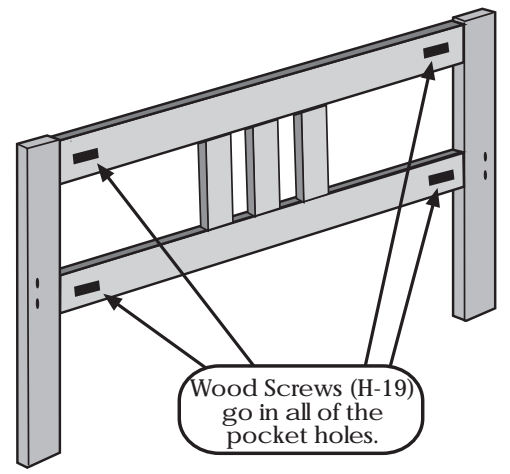
6

Turn the Headboard center section over and prepare to attach the Left and Right Headboard Legs (P-2). Make sure that the Rail Pockets line up as shown in the illustration and then press on the Headboard Legs.



7

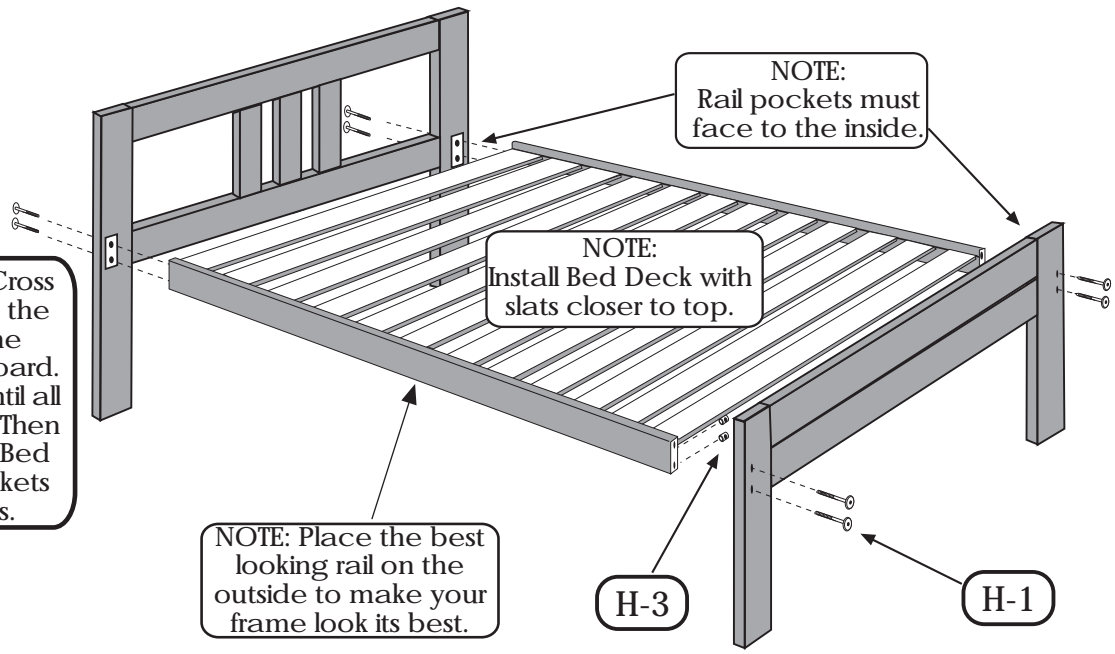
Now turn the Headboard over and insert Wood Screws (H-19) into all of the pocket holes.



8

Use 3" Bolts (H-1) and Cross Dowels (H-3) to attach the two Bed Decks to the Headboard and Footboard. Leave the Bolts loose until all Bed Rails are attached. Then make certain that the Bed Rails are in the rail pockets and tighten the Bolts.

PLEASE RETIGHTEN BOLTS AFTER 30 DAYS



This futon frame is made with Tulip Poplar. Any green tint in the wood will change to light brown in a few weeks. This will happen in 20 to 30 minutes if placed in direct sunlight. Tulip Poplar can be left unfinished, clear finished, stained, or painted. I prefer the lighter stains over the darker ones because the wood is fairly porous. My favorite is a clear finish with no stain. Satin polyurethane (oil or water based) works well.
Painting: It is best to start with an interior primer and lightly sand before painting.
Staining: Lightly sand before staining. Wipe stain on with a rag until you get the desired color. If you are going to use a top coat (such as polyurethane), do not sand again until after the first coat, and then be careful not to sand away the stain.
Finishing: All finishes work well with Tulip Poplar. A simple wax finish over stain (Minwax for example) is easy. An oil finish such as Danish oil can be used. Or a clear top coat such as polyurethane works well to seal the wood. With polyurethanes, the first coat acts as a sanding sealer. So you should lightly sand (180 - 220 grit sandpaper) after the first coat, wipe the wood clean, and then build up coats for the desired effect.

Knockdown Frameworks, Inc. warrants all of its products for five years against any defects that are due to faulty materials or workmanship. We will promptly correct such defects by repair or replacement, at our option, without charge. This warranty covers product defects only and will expire five years after date of purchase by the original consumer purchaser, with proof of purchase required.

This warranty does not apply to damage caused by and resulting from misuse, neglect, accident, or improper operation, maintenance, storage, transportation, or handling of the product. This warranty is for the original consumer purchaser for residential use only and does not apply if the product is used in any commercial application (such as rental property). This warranty does not cover any incidental or consequential damages. If you feel that you have a claim under this warranty, please contact the store from which it was purchased. If this is not possible, call 800-543-3393 for advice on handling your claim.